



ERGONOMICS

MULTI4POWER 2t WELDING WORKSTATIONS

Ergonomic work table for welding work

HEIGHT-ADJUSTABLE WELDING TABLES WITH SYSTEM



OTTOKIND Welding Tables: Built upon our robust classic, the multi4power, these heavy-duty tables are essential for handling large and weighty workpieces. With a focus on load-bearing capacity and adaptable, flexible features, they ensure efficient operations. Safety remains paramount, thanks to ergonomic configuration choices and the inclusion of electrically linear motors.

The basis: the multi4power heavy-duty table with a load capacity of up to 2 tonnes.

- Welding plate/attachment with system perforation
- Height adjustment with memory function and extendable switching unit
- Vibration-damping table base with linear guide
- Adapter frame with electrical decoupling between welding plate and table frame
- Cleaning drawers
- Side panelling with square perforations
- Mobile thanks to heavy-duty castors and can be driven under for industrial trucks
- Shelves or drawers for tools
- Rear power connection (Schuko plug) / front sockets with hinged cover
- Emergency stop switch for hazardous situations
- Optional: compressed air connection
- Synchronous connection option



Compressed air connection



Mobile thanks to heavy-duty castors



Drawers for tools

WELDING TABLES FROM OTTOKIND

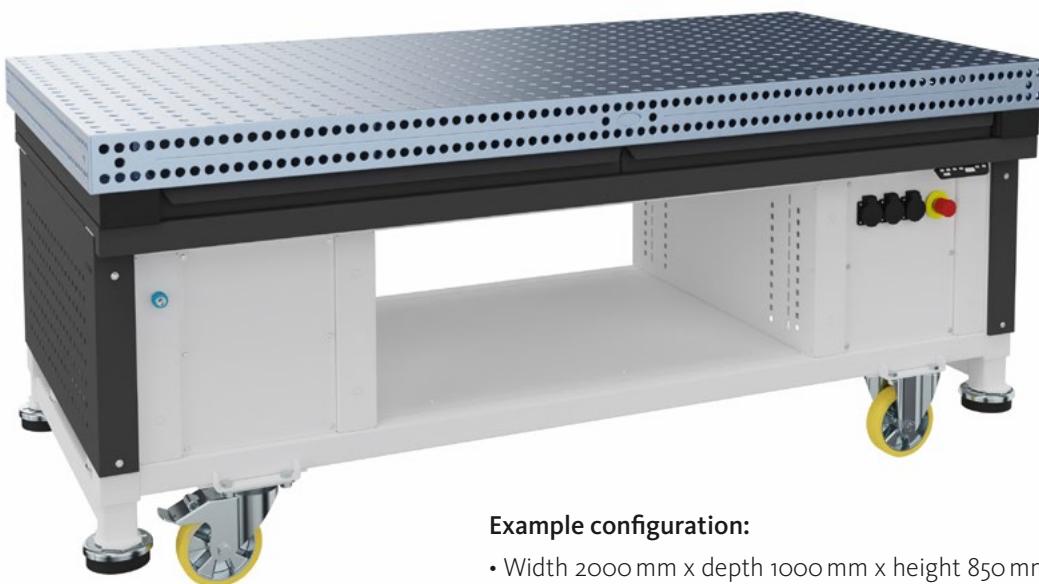
Workstations for ergonomic working

Stationary table with drawers



Example configuration:

- Width 2000 mm x depth 1000 mm x height 780 mm
- Drawers width 950 mm x depth 700 mm x height 150 mm (usable dimensions WxDxH: 889x589x135 mm)
- Drawers width 950 mm x depth 700 mm x height 175 mm (usable dimensions WxDxH: 889x589x160 mm)
- Can be moved up to a height of 1100 mm
- Cleaning drawers for welding residue/dirt
- Vibration-damping machine feet
- Base coat RAL 7035 light grey, add-on components RAL 7016



Mobile table with storage shelf

Example configuration:

- Width 2000 mm x depth 1000 mm x height 850 mm
- Shelf width 956 mm x depth 830 mm x height 370 mm
- Can be moved up to a height of 1100 mm
- Cleaning drawers for welding residues/dirt
- Lockable heavy-duty castors
- Base coat RAL 7035 light grey, add-on components RAL 7016



SOLUTIONS FOR INDIVIDUAL REQUIREMENTS

The OTTOKIND multi4power system has a modular design and can be individually extended and configured. Ergonomic workplace design for the safety of your employees – versatile solutions for further, individual customisation.

For optimum equipment for your welding workstations – contact us!

OTTO KIND
ZUKUNFT EINRICHTEN

Otto Kind GmbH & Co. KG
Hagener Straße 35
51645 Gummersbach
Germany
Tel.: +49 2261 84 - 0
vertrieb@otto-kind.de
www.otto-kind.de

BAiBiA KIND
soluții complete pentru logistică și industrie

SC Baibia Kind SRL
Str. Poligonului nr. 9
100070 Ploiesti
Romania
Tel./Fax: +40 244 598 445
office@baibia.com
www.baibia.com

KIND
KIND FRANCE

Kind France S.A.R.L.
Garonor Est
Bâtiment 2b Cellule U
93600 Aulnay-sous-Bois
France
Tel.: +33 01 49 63 92 63
info@kind-france.fr
www.kind-france.com